

CV83U/CV83PDU



CV83U/CV83PDU

Single Drum Vibratory Roller

CV83U/CV83PDU is a kind of medium-sized, self-propelled, single drum, full hydraulic vibratory roller special designed for North America market. This product fulfills the requirements of the US Tier4F emission standards. Featuring high excitation force, high compaction efficiency and good compaction quality, it is widely used in compaction work on base layer, sub-base layer and rock fill for roads, railways, airports, harbors, dams and industrial construction sites.

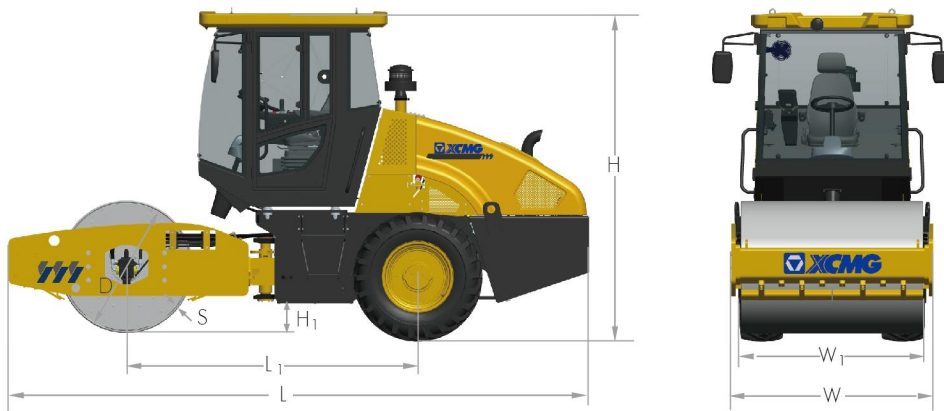
Performance and characteristics

- Perfect combination of high climbing ability and anti-skid technology, leading industry in adaptability to extreme working conditions.
- Cylinder-type four-support long-life drum, unparalleled 10,000 hours lifetime expected under standard working conditions.
- Easy viewing LCD display and sound-light alarm on dashboard provides timely service information reminder;
- The infinitely variable speeds function guarantees optimum work speeds under diversified working conditions.
- Air conditioner with cooling/heating function ensures optimal cabin temperature;

Main dimensions

Unit: mm

Model	L	L1	W	W1	H	H1	S	D
CV83U	5355	2680	1860	1680	3040	270	20	1220
CV83PDU	5355	2680	1860	1680	3120	345	20	1220



Main specifications

Item	Content	Unit	CV83U/CV83PDU
Weights	Operating weight	kg	8000/8430
	Maximum operating weight	kg	8000/8430
	Front axle weight	kg	3800/4230
	Rear axle weight	kg	4200
	Static linear load	N/cm	221.7/-
Maneuverability	Working speed(F/R)	km/h	0~5; 0~11
	Gradeability	%	50
	Minimum turning radius(outer)	mm	5860
	Minimum ground clearance	mm	270/345
	Wheel base	mm	2680
	Steering angle	°	±33
Compaction	Oscillation angle	°	±10
	Vibration frequency	Hz	30/35
	Nominal amplitude	mm	1.8/0.9
	Excitation force (high/low frequency)	kN	125/85
	Drum diameter	mm	1220
Engine	Drum width	mm	1680
	Model	-	QSF3.8
	Emission	-	T4F
	Rated power	kW	75
	Rated speed	r/min	2200
Tire	Spec.	-	405/70-24-16PR EMR1
	Ply rating	-	16
	Air pressure	kPa	380-500
Capacities	Fuel tank	L	200
	Urea tank	L	18